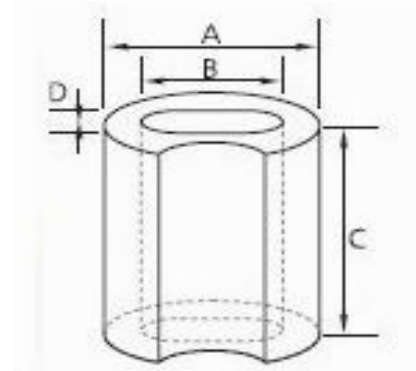




Ferrite Cores

HRHS TYPE



NO	Specifications	Fig	Dimensions:mm				Impedance (Ω) min	
			A	B	Φ C	D	25MHz	100MHz
1	HRHS117x6x19.75-3	1	11.7 \pm 0.5	6 \pm 0.4	19.75 \pm 0.5	3 \pm 0.4	100	185

The data is reference only. Customers should verify actual device performance in their specific applications. Specifications are subject to change without notice. Please check our website for latest information.
<http://www.ftind.com>